

ELEVATIONS IN FEET AND LINEAR DIMENSIONS IN METRES

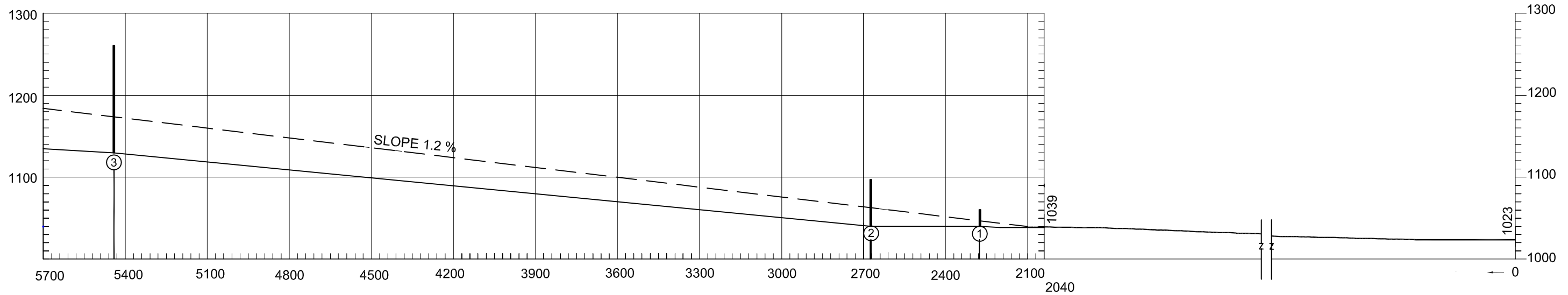
AERODROME OBSTACLE CHART - ICAO
TYPE A (OPERATING LIMITATIONS)

CLUJ NAPOCA / Avram Iancu (LRCL)

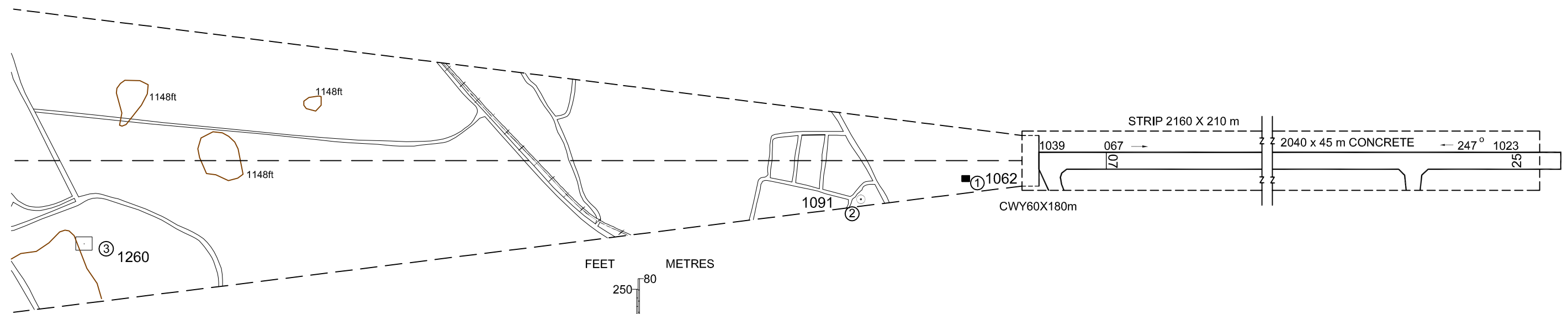
RWY 25

DECLARED DISTANCES	
RWY 25	
TAKE-OFF RUN AVAILABLE	2040
TAKE-OFF DISTANCE AVAILABLE	2100
ACCELERATE STOP DISTANCE AVAILABLE	2040
LANDING DISTANCE AVAILABLE	2040

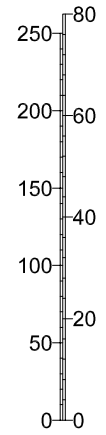
MAGNETIC VARIATION 5 °E-2015



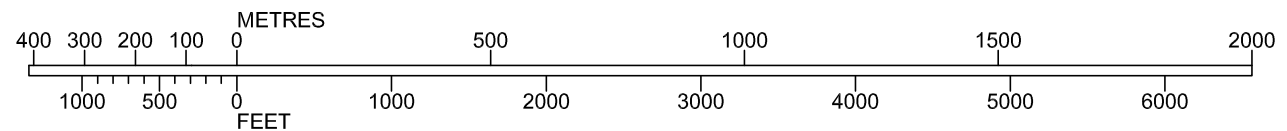
Changes: Obstacle 2 elevation.



FEET METRES



HORIZONTAL SCALE 1 : 15 000



ORDER OF ACCURACY
HORIZONTAL 0.5 METRES
VERTICAL 0.5 ft

LEGEND	
IDENTIFICATION NUMBER	①
POLE, TOWER, SPIRE, ANTENNA, etc.	⊙
BUILDING OR LARGE STRUCTURE	□
RAILROAD	—+—+—+—
TERRAIN CONTOUR	~
TERRAIN PENETRATING OBSTACLE PLANE	—/—/—/—
TREE OR SHRUB	⊕

ELEV 1407 ←④⊙ 8460@250°	ELEV 1398 ←⑦⊙ 8757@256°	ELEV 1448 ←⑩⊙ 11924@246°
ELEV 1335 ←⑤⊙ 9180@246°	ELEV 1318 ←⑧⊙ 7904@250°	
ELEV 1575 ←⑥⊙ 9920@242°	ELEV 1506 ←⑨⊙ 11079@242°	

AMENDMENT RECORD		
NO.	DATE	ENTERED BY