

**AERODROME OBSTACLE CHART - ICAO**  
TYPE A (OPERATING LIMITATIONS)

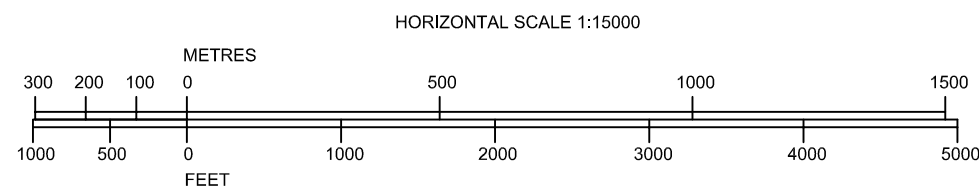
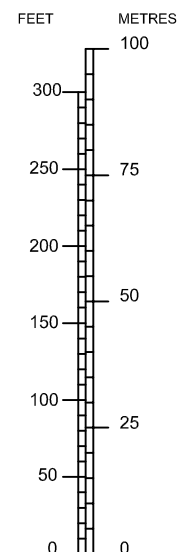
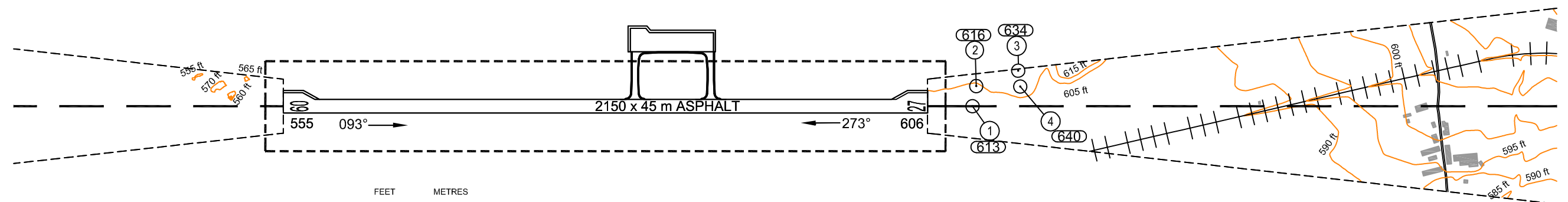
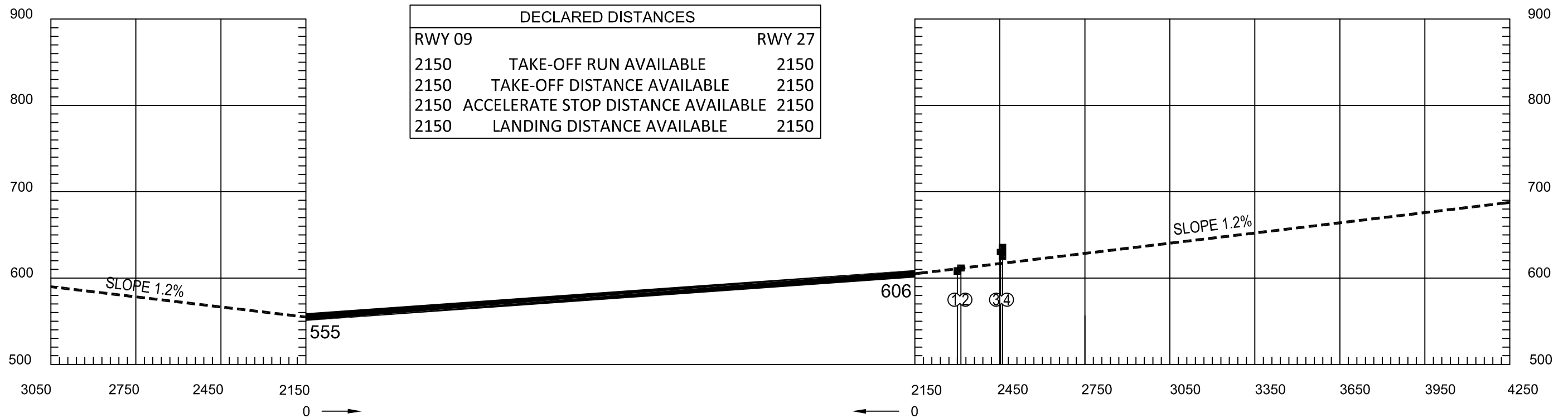
BAIA MARE / Maramureş (LRBM)  
RWY 09/27

DIMENSIONS IN METRES AND ELEVATIONS IN FEET

MAGNETIC VARIATION 6° E - 2016

**RWY 09 / 27**

DECLARED DISTANCES		
RWY 09		RWY 27
2150	TAKE-OFF RUN AVAILABLE	2150
2150	TAKE-OFF DISTANCE AVAILABLE	2150
2150	ACCELERATE STOP DISTANCE AVAILABLE	2150
2150	LANDING DISTANCE AVAILABLE	2150



ELEV 1018  
9384@ 093°

LEGEND

IDENTIFICATION NUMBER	①
POLE, TOWER, SPIRE, ANTENNA, FENCE	⊙
BUILDING OR LARGE STRUCTURE	■
ROADS	==
RAILROAD	####
THREE OR SHRUB	×

ORDER OF ACCURACY  
HORIZONTAL 0.5 METRES  
VERTICAL 0.5 ft

AMENDMENT RECORD		
NO.	DATE	ENTERED BY

Changes: Chart redrawn