

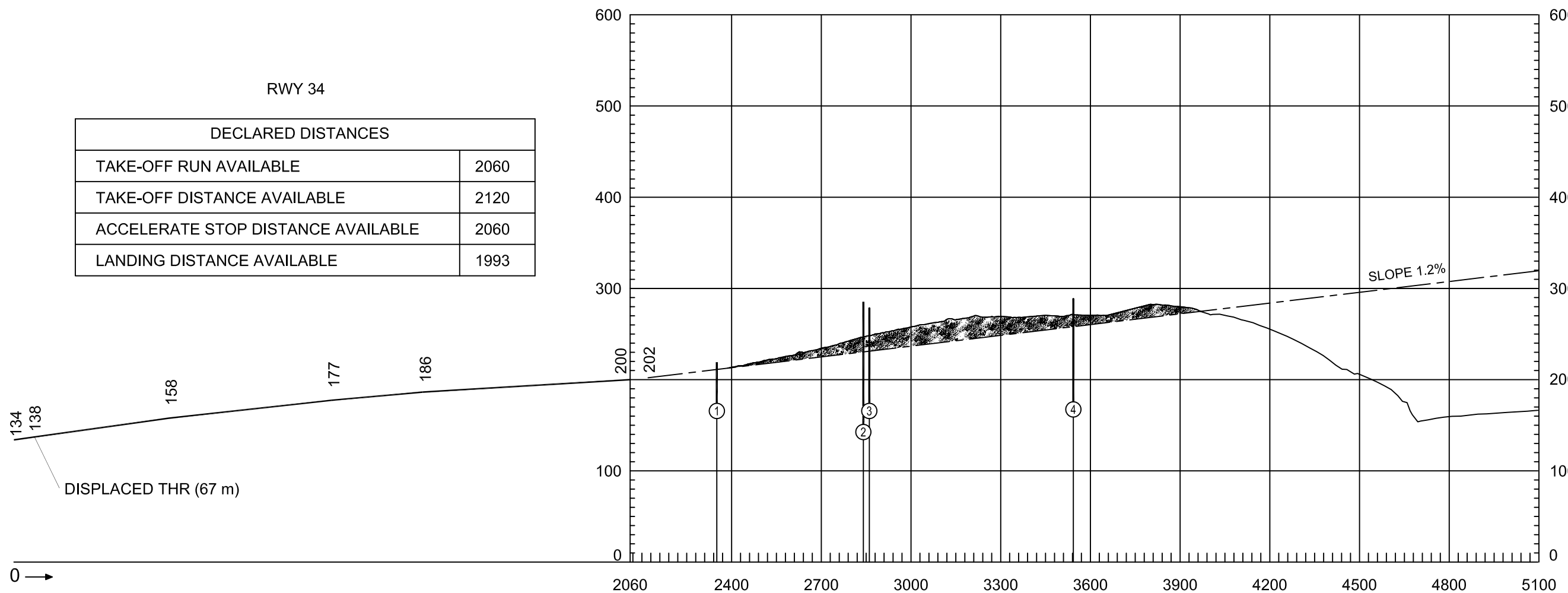
AERODROME OBSTACLE CHART - ICAO
TYPE A (OPERATING LIMITATIONS)

TULCEA / Delta Dunării Tulcea (LRTC)

ELEVATIONS IN FEET AND LINEAR DIMENSIONS IN METRES

MAGNETIC VARIATION 6° E - 2019

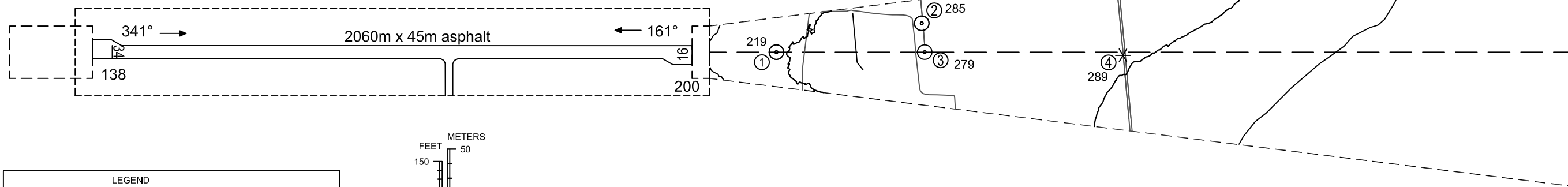
DECLARED DISTANCES	
TAKE-OFF RUN AVAILABLE	2060
TAKE-OFF DISTANCE AVAILABLE	2120
ACCELERATE STOP DISTANCE AVAILABLE	2060
LANDING DISTANCE AVAILABLE	1993



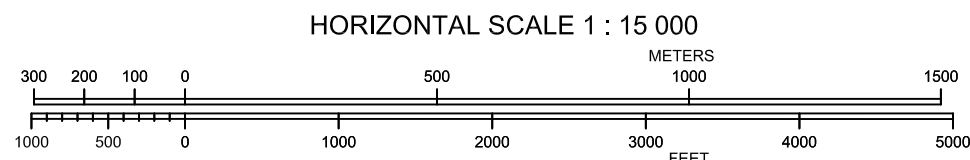
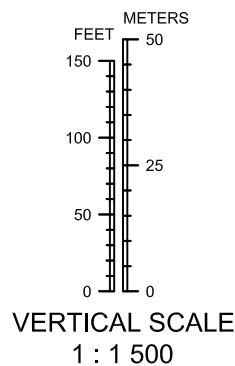
Changes: mag. directions, mag. variation.

CWY
285 x 180 m

CWY
60 x 180 m



LEGEND		
IDENTIFICATION NUMBER	①	
PRIMARY ROAD	———	
SECONDARY ROAD	———	
TERRAIN CONTOUR	~	
TERRAIN PENETRATING OBSTACLE PLANE	PLAN	PROFILE
ANTENNA, CHIMNEY, MAST, POLE, SPIRE or CRANE	⊙	
TREES	⊕	



ORDER OF ACCURACY:
HORIZONTAL: 0.5 METERS
VERTICAL: 1 FT

AMENDMENT RECORD		
NO.	DATE	ENTERED BY