

AERODROME OBSTACLE CHART - ICAO

TIMIȘOARA / Traian Vuia (LRTR)

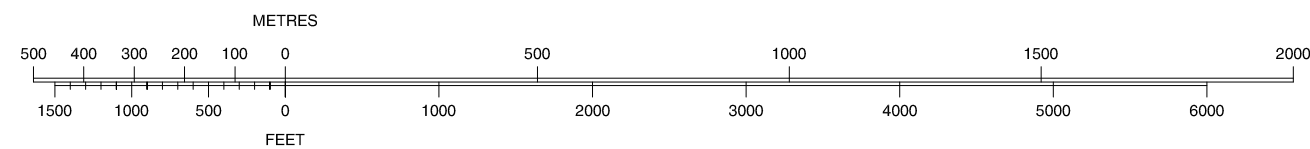
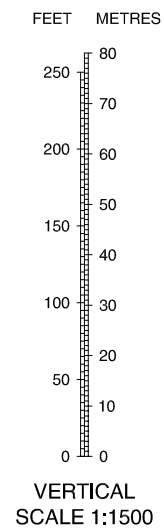
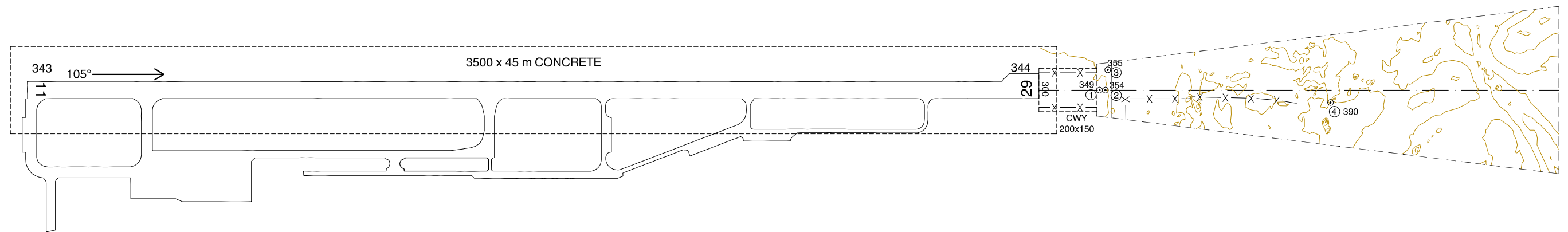
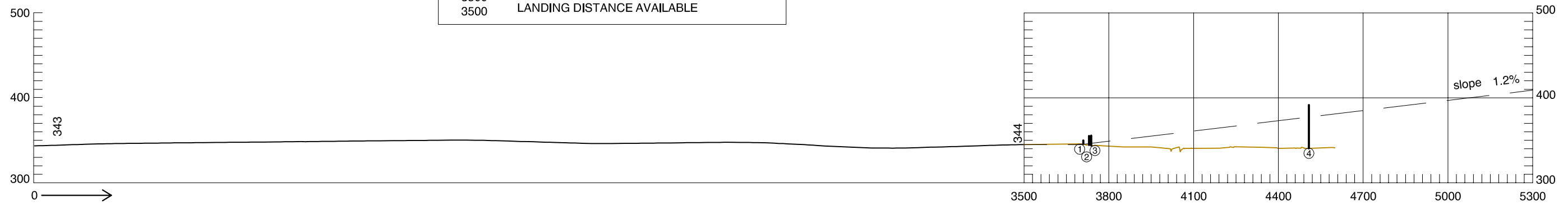
ELEVATIONS IN FEET AND DIMENSIONS IN METRES

TYPE A (OPERATING LIMITATIONS)

RWY 11

MAGNETIC VARIATION 5° E - 2017

DECLARED DISTANCES	
RWY 11	
3500	TAKE OFF RUN AVAILABLE
3700	TAKE OFF DISTANCE AVAILABLE
3500	ACCELERATE STOP DISTANCE AVAILABLE
3500	LANDING DISTANCE AVAILABLE



ORDER OF ACCURACY
HORIZONTAL 0.2 M
VERTICAL 1.3 FT

LEGEND	
TERRAIN CONTOUR	
CENTRELINE PROFILE	
IDENTIFICATION NUMBER	①
FENCE	—X—X—
NAVAID EQUIPMENT, POLE, SPIRE, ETC.	⊙

AMENDMENT RECORD		
No.	DATE	ENTERED BY

Changes: Chart redrawn.