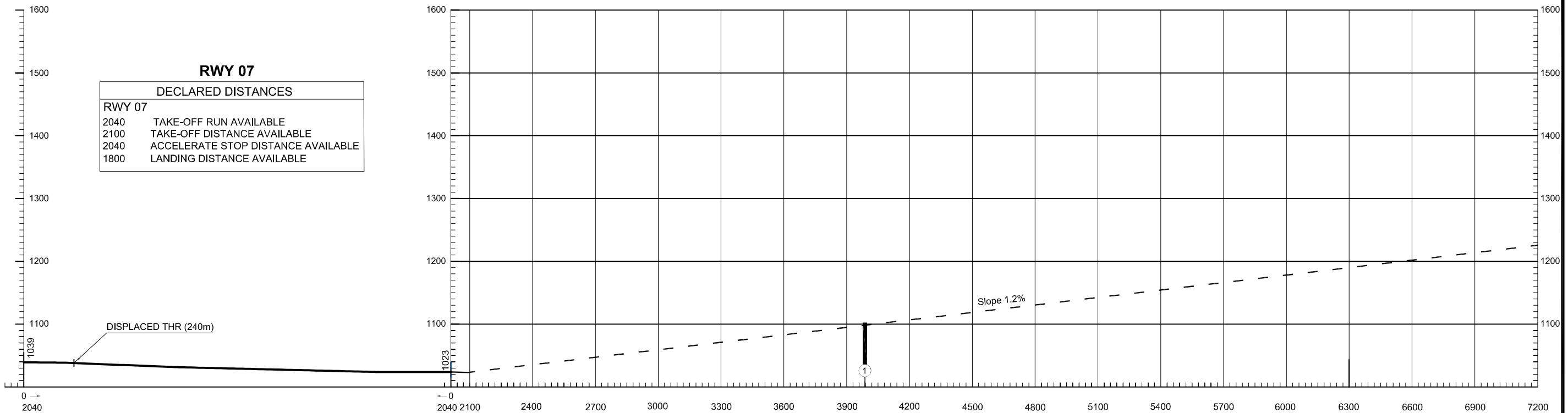


ELEVATIONS IN FEET AND LINEAR DIMENSIONS IN METRES

AERODROME OBSTACLE CHART - ICAO
TYPE A (OPERATING LIMITATIONS)

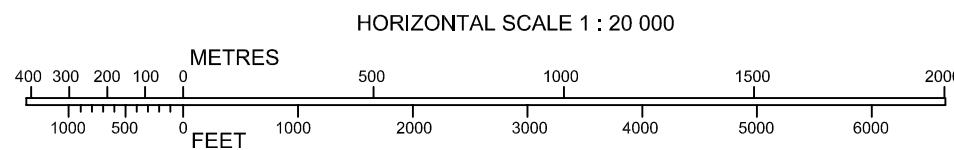
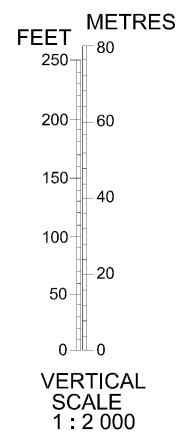
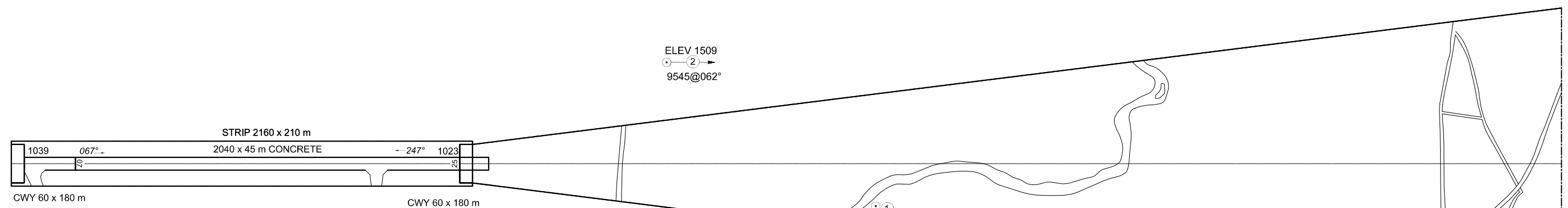
CLUJ NAPOCA / Avram Iancu (LRCL)

MAGNETIC VARIATION 5° E - 2015



RWY 07	
DECLARED DISTANCES	
2040	TAKE-OFF RUN AVAILABLE
2100	TAKE-OFF DISTANCE AVAILABLE
2040	ACCELERATE STOP DISTANCE AVAILABLE
1800	LANDING DISTANCE AVAILABLE

Changes: HAMDT incorporated



LEGEND	
IDENTIFICATION NUMBER	①
POLE, TOWER, SPIRE, ANTENNA, etc.	⊙
BUILDING OR LARGE STRUCTURE	□
RAILROAD	—+—+—+—+—
TERRAIN CONTOUR	~
TERRAIN PENETRATING OBSTACLE PLANE	—/—/—/—/—
TREE OR SHRUB	🌳

AMENDMENT RECORD		
NO.	DATE	ENTERED BY