

**AERODROME OBSTACLE CHART - ICAO**  
TYPE A (OPERATING LIMITATIONS)

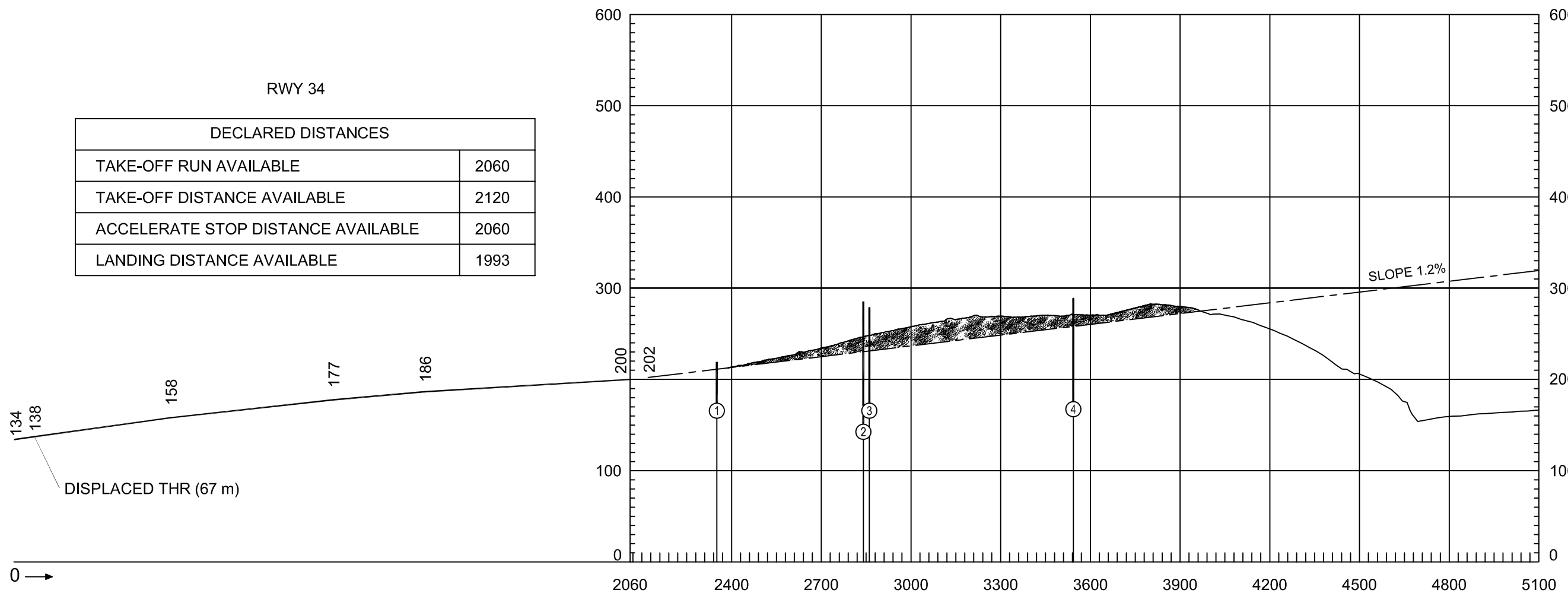
**TULCEA / Delta Dunării Tulcea (LRTC)**

ELEVATIONS IN FEET AND LINEAR DIMENSIONS IN METRES

MAGNETIC VARIATION 6° E - IAN 2016

RWY 34

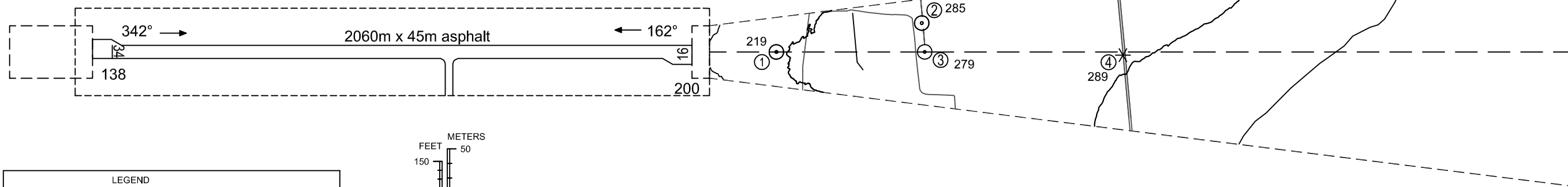
DECLARED DISTANCES	
TAKE-OFF RUN AVAILABLE	2060
TAKE-OFF DISTANCE AVAILABLE	2120
ACCELERATE STOP DISTANCE AVAILABLE	2060
LANDING DISTANCE AVAILABLE	1993



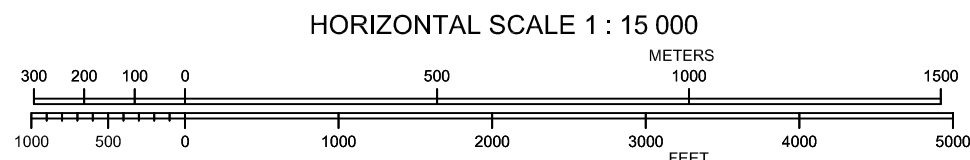
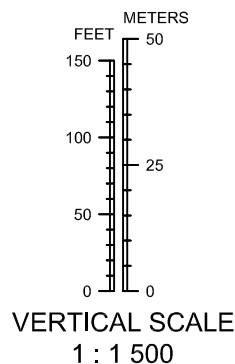
Changes: Chart redrawn.

CWY  
285 x 180 m

CWY  
60 x 180 m



LEGEND		
IDENTIFICATION NUMBER		①
PRIMARY ROAD		▬▬▬▬
SECONDARY ROAD		▬▬▬▬
TERRAIN CONTOUR		~ ~ ~ ~
TERRAIN PENETRATING OBSTACLE PLANE	PLAN	PROFILE
ANTENNA, CHIMNEY, MAST, POLE, SPIRE or CRANE		⊙
TREES		⊕



ORDER OF ACCURACY:  
HORIZONTAL: 0.5 METERS  
VERTICAL: 1 FT

AMENDMENT RECORD		
NO.	DATE	ENTERED BY